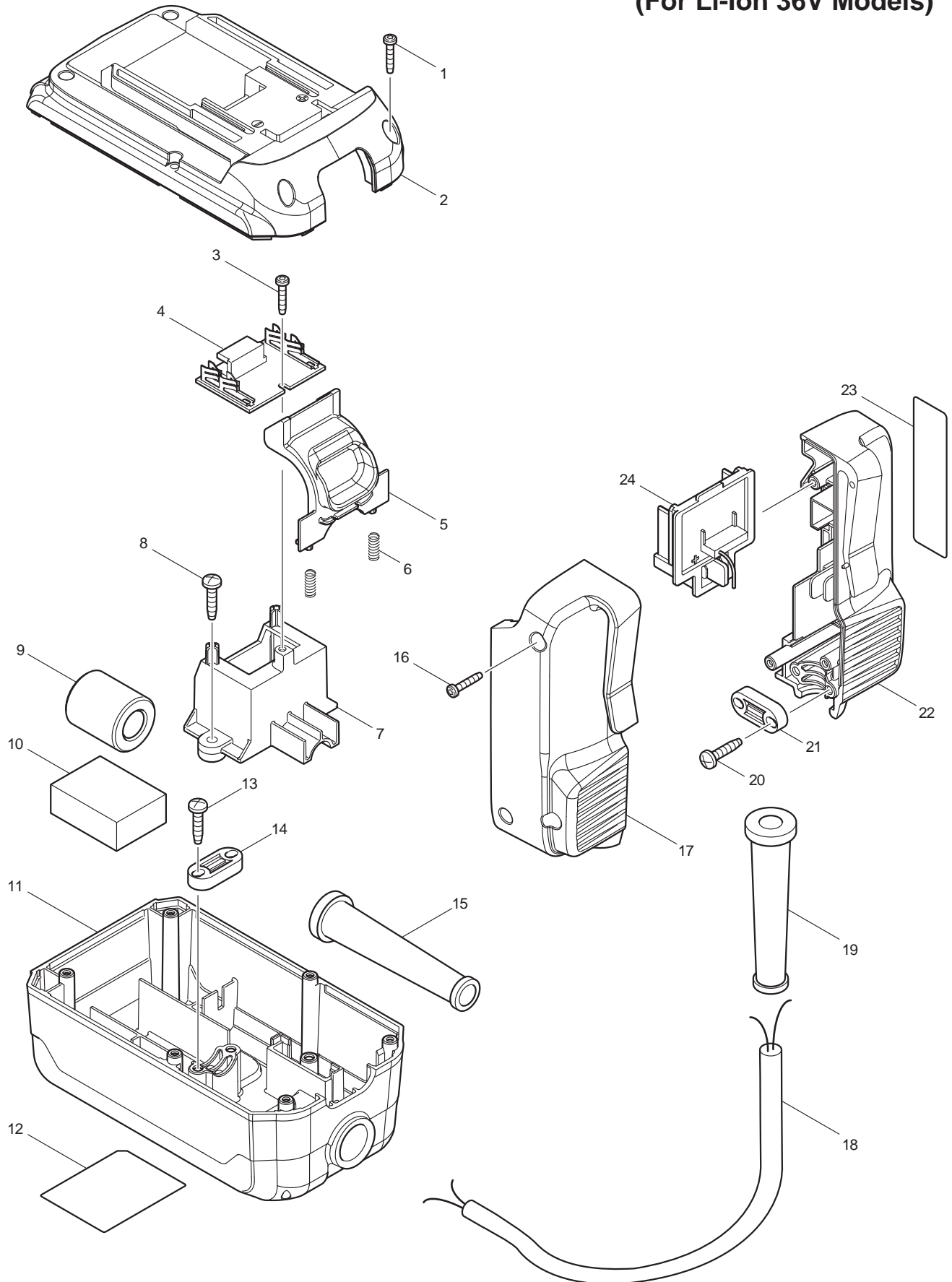




08 - 2010
194960-7
BATTERY ADAPTOR BAP36
(For Li-Ion 36V Models)



Item No.	Type	Sub	Part No.	Description	Q'ty	Unit
1			266277-9	TAPPING SCREW TORX 3X16	6	PC.
2			452190-9	OUTER CASE (UPPER)	1	PC.
3			266277-9	TAPPING SCREW TORX 3X16	1	PC.
4			631879-4	TERMINAL BOARD COMPLETE	1	PC.
5			140100-5	HOOK COMPLETE	1	PC.
6			234120-0	COMPRESSION SPRING 4	2	PC.
7			451260-1	INNER SUPPORT	1	PC.
8			266326-2	TAPPING SCREW 4X18	2	PC.
9			688140-0	LINE FILTER	1	PC.
10			685718-0	SPONGE SHEET	1	PC.
11			451256-2	OUTER CASE (UNDER)	1	PC.
12			866678-7	BAP36 NAME PLATE(FOR PARTS)	1	PC.
13			266326-2	TAPPING SCREW 4X18	2	PC.
14			687140-7	STRAIN RELIEF	1	PC.
15			682504-0	CORD GUARD 10-85	1	PC.
16			266277-9	TAPPING SCREW TORX 3X16	3	PC.
17			188744-3	CASE SET	1	SET
		INC.		Item No. 22,23		
18			660280-6	POWER SUPPLY CORD	1	PC.
19			682504-0	CORD GUARD 10-85	1	PC.
20			266326-2	TAPPING SCREW 4X18	2	PC.
21			687140-7	STRAIN RELIEF	1	PC.
22			188744-3	CASE SET	1	SET
		INC.		Item No. 17,23		
23			819353-4	MAKITA LOGO LABEL	1	PC.
24			638667-0	TERMINAL UNIT	1	PC.
C01			870284-2	CARTON	1	PC.
D01			654208-4	RECEPTACLE	2	PC.
D02			654509-0	CONNECTOR 2-SD	2	PC.
D03			654510-5	INSULATED CONNECTOR 5.5-SD	2	PC.